

# WARD DAYLIGHT

## Zoom Profile Spotlights

12°-30° and 22°-50°

**Save energy, space, weight and cost with the brightest daylight beam on the market !**

**WARD DAYLIGHT FIXTURES** are now available with two specific optical systems, in special rental versions and also as motorised remote controlled profile spotlights.

**“Peak Performance”** optical systems offer a maximum of lumen output. Ellipsoidal reflector optimized for high light output. The fixture gives an extra “punch” of light, very useful for display and highlighting of scenic elements and actors. This optical system is also used in the new **WARD DAYLIGHT Followspot**.

**“High Quality Image”** feature an ellipsoidal mirror optimized to project a uniform field, hence optimized for pattern projection. This fixture can be used for applications where the design requires very even light distribution, e.g. to uniformly cover an acting area, or for high quality gobo projection.

- G22 axial discharge lamp 575 W / 6000 K / 1000 h / 49000 lm hot restrike
- Light output comparable with the one of a 2500 W daylight lamp
- 14500 lux at 10 m/12°
- Dichroic glass reflector for low gate and beam temperature
- Patented ring control of focus, zoom, iris, gobos and shutters
- Individual 360° rotation of shutters and gobos
- Access to all controls from any position around the spotlight
- Electronic flicker free ballast with integrated 24 V power supply for accessories
- Power supply: 230 V +/- 15% / 50-60 Hz
- Convection cooling -> no fan, no noise
- Lightweight, compact, robust, ergonomic

### Options

- DMX controlled mechanical dimmer
- Combined mechanical dimmer & colour changer
- Fixing plate for detachable ballast for separate hanging or standing operation
- **Fully motorized version** with all the benefits of the **WARD/M** fixture
- Universal version with power supply 90 - 264 V / 50 - 60 Hz



### Supplied with:

- G22 hot restrike metal halide lamp 575W-6000K-1000h-49000 lm
- Electronic Ballast with 1.6 m power supply cable (3 x 1.5 mm<sup>2</sup>) without plug
- 0.8 m connection cable from ballast and lamphouse (5 x 1.5 mm<sup>2</sup>) with industrial TYCO locking connector (4 Pin +PE)
- 1 metal filter frame
- Instruction manual

WARD/DL 12° - 30°

WARD/DL 22° - 50°

Net weight (kg)

18

17.5

Gross weight (kg)

23.5

23

Packing (mm)

550

x

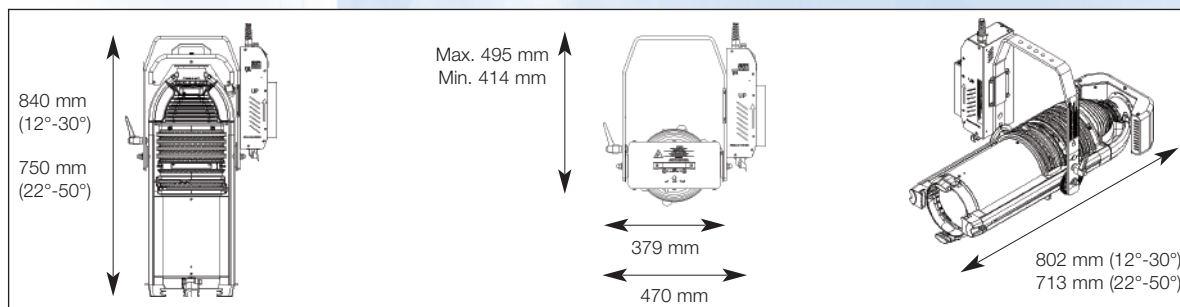
300

x

940

10 units per pallet

### Dimensions

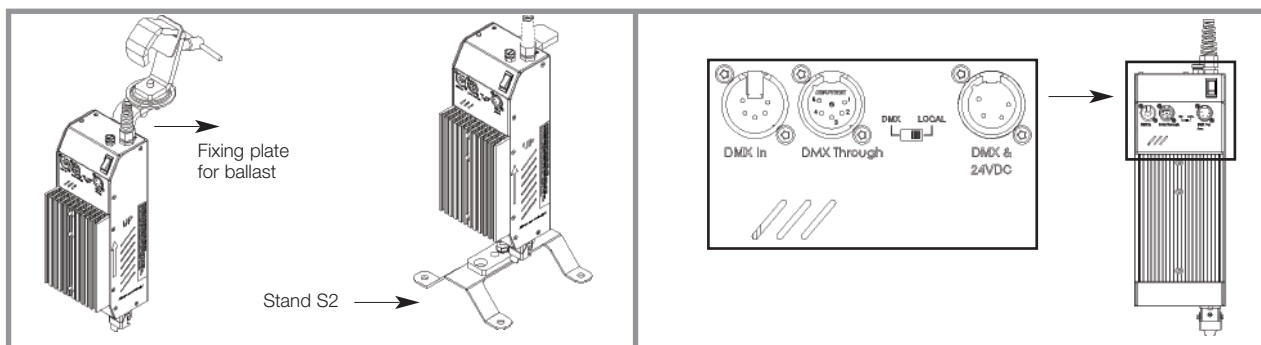


# WARD DAYLIGHT

At min. angle	WARD / DL 12° - 30°				WARD / DL 22° - 50°				WARD / DL 12° - 30° HQ				WARD / DL 22° - 50° HQ			
Distance (m)	10	15	20	25	8	10	14	18	10	15	20	25	8	10	14	18
Field Ø (m)	2.6	3.9	5.3	6.6	2.8	3.4	6.2	8	2.2	3.3	4.5	5.5	3.2	4	5.6	7.2
Illumination (lux)	14500	6440	3625	2320	8540	5465	2790	1685	8500	3780	2125	1360	5000	3200	1633	988
At max. angle	WARD / DL 12° - 30°				WARD / DL 22° - 50°				WARD / DL 12° - 30° HQ				WARD / DL 22° - 50° HQ			
Distance (m)	5	8	11	14	3	5	7	9	5	8	11	14	3	5	7	9
Field Ø (m)	2.7	4.3	5.3	7.5	2.7	4.5	6.2	8	2.7	4.3	5.9	7.5	2.6	4.4	6.2	7.9
Illumination (lux)	10480	4095	2165	1335	14000	5040	2570	1555	7400	2890	1530	950	9056	3260	1663	1006

Typical values measured with a metal halide 575 W lamp

Ballast detachable for separate hanging or standing operation



## Daylight Zoom Profile Spotlights "Peak Performance"

WARD DAYLIGHT zoom profile 12° - 30° / 230 V

WARD DAYLIGHT zoom profile 22° - 50° / 230 V

WARD DAYLIGHT zoom profile 12° - 30° / 90 - 264 V \*

WARD DAYLIGHT zoom profile 22° - 50° / 90 - 264 V \*

\* with integrated low noise fan

WARD/DL/12-30

WARD/DL/22-50

WARD/DL/12-30/U

WARD/DL/22-50/U

## Daylight Zoom Profile Spotlights "High Quality Imaging"

WARD DAYLIGHT zoom profile 12° - 30° / 230 V

WARD DAYLIGHT zoom profile 22° - 50° / 230 V

WARD DAYLIGHT zoom profile 12° - 30° / 90 - 264 V \*

WARD DAYLIGHT zoom profile 22° - 50° / 90 - 264 V \*

WARD/DL/12-30/HQ

WARD/DL/22-50/HQ

WARD/DL/12-30/U/HQ

WARD/DL/22-50/U/HQ

## Accessories

**Mechanical dimmer** with adapter plate and DMX/supply cable

Filter frame holder cassette for the mechanical dimmer

**"Combo" mechanical dimmer + colour changer** with adapter plate and DMX/supply cable

**Colour changer** for WARP, supplied with:

1 16-colour gel filter roll, 1 adapter plate (APL-CC/WARP), 1 DMX/supply cable

Adapter plate for colour changer

Filter frame holder cassette for the "Combo" mechanical dimmer

Adapter plate for colour changer

Metal filter frame (185 x 185 mm)

Safety grid (185 x 185 mm)

Double gobo holder (rotating) type B

Combined iris diaphragm & gobo holder (rotating) type B

Single gobo holder (non rotating) type B for WARP

Flight-case for WARP/M/DL

Flight-case for WARP/DL

Flight-case for WARP/DL Rental

Hook clamp for WARP/M/DL (2 required)

1.2 m spotlight safety cable

MD/WARP

MD/CASS

MD/CC/WARP

CC/WARP

APL-CC/WARP

MD/COMBO/CASS

APL-CC/WARP

PFM/185

GR/185

SP/2GO/WARP

SP/OR-GO/WARP

SP-GO/WARP

FLY/WARP/M1

FLY/WARP/DL

FLY/WARP/6

A40

CAS 120/N

## ADB - Your Partner for Light

**Belgium** N.V. ADB-TTV Technologies S.A.

(Group Headquarters) Leuvensesteenweg 585, B-1930 Zaventem

Tel : +32.2.709.32.11, Fax : +32.2.709.32.80, E-Mail : adb@adblighting.com

**France** ADB S.A.S.

**Sales Office:** 92, Avenue Jean Jaurès F-92120 Montrouge

Tel : +33.1.41.17.48.50, Fax : +33.1.42.53.54.76, E-Mail : adb.fr@adblighting.com

**Factory & Group Logistics Centre:** Zone industrielle Rouvroy F-02100 Saint-Quentin

Tel : +33.3.23.06.35.70, Fax : +33.3.23.67.66.56, E-Mail : adb.fr@adblighting.com

**ADB**  
Lighting Technologies

DS-5203-E-03r Subject to modifications